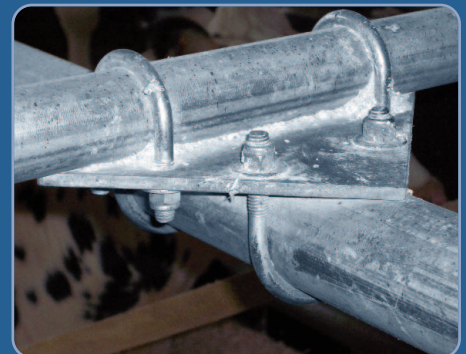




## FEATURES

- Hot dipped galvanized or pre-galvanized loop option.
- Heavy galvanized 3 1/2" post
- Easy installation
- Adjustable height
- Cow friendly loop profile to allow lunge space
- Available in 79", 88", and 94" long loops.



**CANARM LTD. - Corporate Office**  
 2157 Parkedale Ave., Brockville, ON  
 Canada K6V 5V6  
 Tel: (613) 342-5424 Fax: 1-800-263-4598

Web Site: [www.canarm.com](http://www.canarm.com)

**CANARM LTD. - USA Warehouse**  
 808 Commerce Park Drive  
 Ogdensburg, New York, USA 13669  
 Tel: 1-800-267-4427 Fax: 1-800-263-4598

E-Mail: [agsales@canarm.ca](mailto:agsales@canarm.ca)

**Arthur Manufacturing Facility**  
 #7686 Concession 16, RR 4 Arthur, ON  
 Canada NOG 1A0  
 Tel: (519) 848-3910 Fax: (519) 848-3948

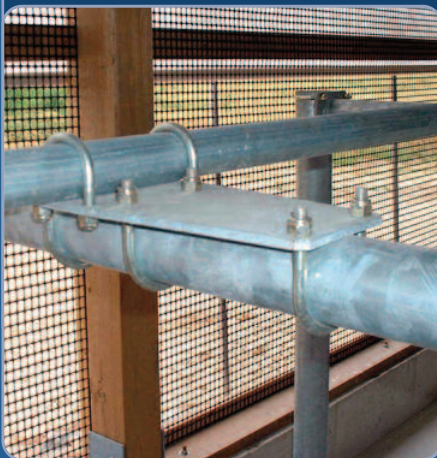




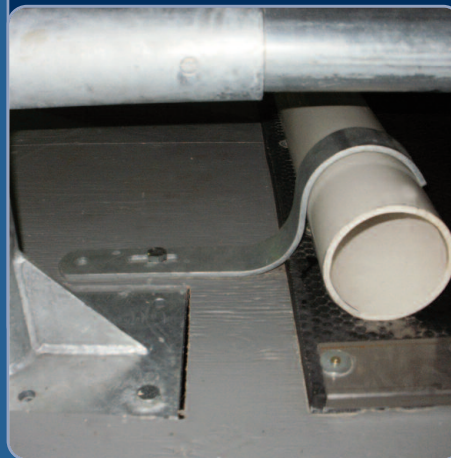
## FEATURES

- Open concept design resulting in elevated comfort levels.
- Greater space between the pipes to minimize headswing restrictions.
- Large lower opening does not interfere with curb hip when lying down, bruising is prevented.
- Headrail installed at 48", therefore cow does not damage top of shoulder as she tries to stand.
- Maximizes forward mobility space.
- Plate mounted for increased strength and durability.
- Freestalls made of heavy duty 2 3/8"OD tube and hot dipped galvanized for longevity.
- Fully adjustable neckrail and brisket bracket.
- Heavy duty 3 1/2" post with gusset for increased strength.
- Available in 79.5", 88" & 94" lengths.
- Freestalls also available in calf and heifer models (1 5/8" OD pipe).

### HEAVY-DUTY HEADRAIL CLAMP



### BRISKET BRACKET



- Heavy-duty headrail clamp significantly increases stall strength and stability.
- Brisket bracket attaches to the floor to eliminate any obstructions.
- Easily adjustable to accommodate different animal sizes.







## FEATURES

- Excellent front and side lunge
- Available in 79.5", 88" & 94" lengths
- Hot dipped galvanized or pre-galvanized loop option.
- Very cow friendly
- Only 1 post required for every 4 stalls
- Mounted to floor to create stability



**CANARM LTD. - Corporate Office**  
2157 Parkedale Ave., Brockville, ON  
Canada K6V 5V6  
Tel: (613) 342-5424 Fax: 1-800-263-4598

Web Site: [www.canarm.com](http://www.canarm.com)

**CANARM LTD. - USA Warehouse**  
808 Commerce Park Drive  
Ogdensburg, New York, USA 13669  
Tel: 1-800-267-4427 Fax: 1-800-263-4598

E-Mail: [agsales@canarm.ca](mailto:agsales@canarm.ca)

**Arthur Manufacturing Facility**  
#7686 Concession 16, RR 4 Arthur, ON  
Canada NOG 1A0  
Tel: (519) 848-3910 Fax: (519) 848-3948





## FEATURES

- Fully adjustable width and height
- Less concrete required



**CANARM LTD. - Corporate Office**  
2157 Parkedale Ave., Brockville, ON  
Canada K6V 5V6  
Tel: (613) 342-5424 Fax: 1-800-263-4598

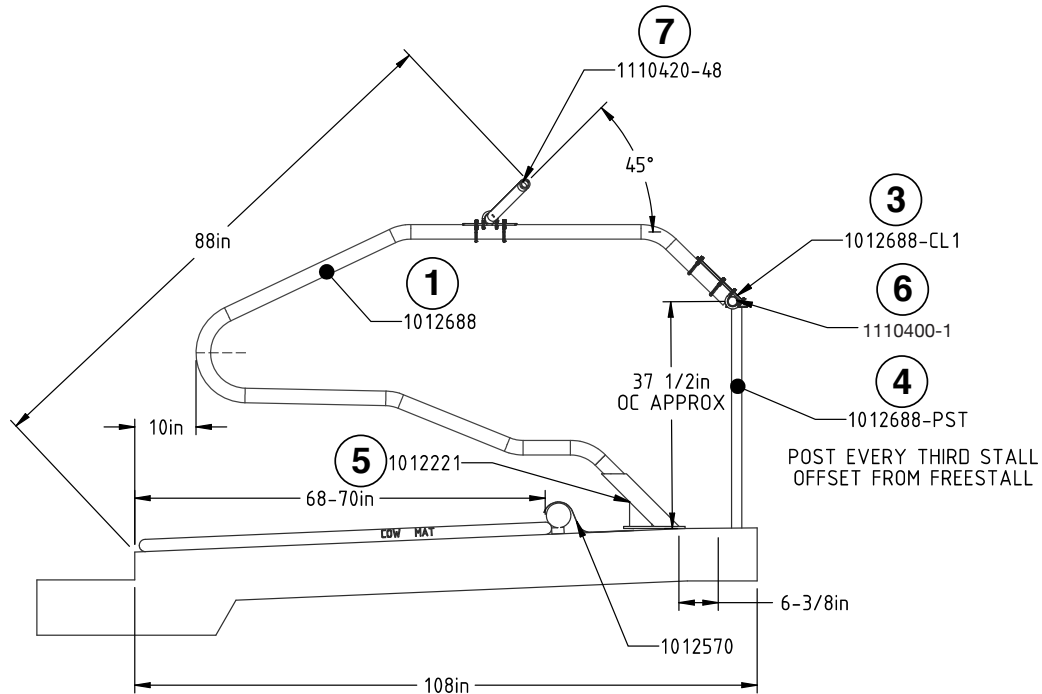
Web Site: [www.canarm.com](http://www.canarm.com)

**CANARM LTD. - USA Warehouse**  
808 Commerce Park Drive  
Ogdensburg, New York, USA 13669  
Tel: 1-800-267-4427 Fax: 1-800-263-4598

E-Mail: [agsales@canarm.ca](mailto:agsales@canarm.ca)

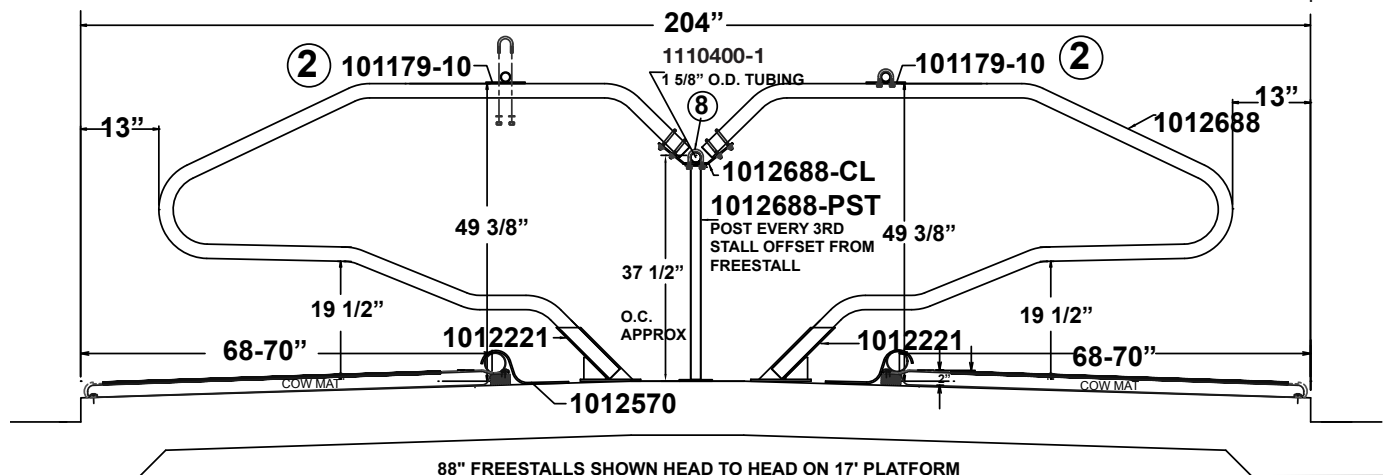
**Arthur Manufacturing Facility**  
#7686 Concession 16, RR 4 Arthur, ON  
Canada NOG 1A0  
Tel: (519) 848-3910 Fax: (519) 848-3948

## EEZY LUNGE DROP DOWN FRONT FREESTALL WITH CURVED HEAD RAIL SINGLE ROW



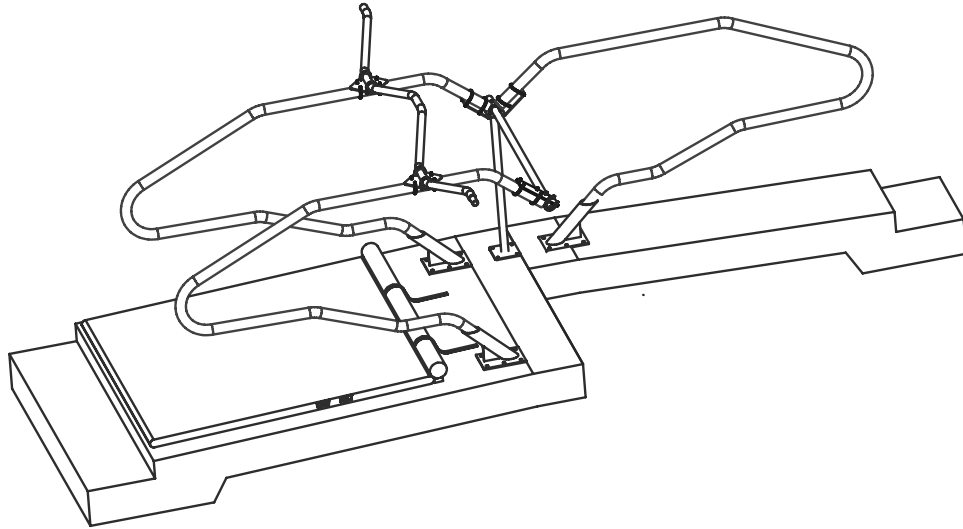
ILLUS.	DESCRIPTION	PART #
1	37.5" HIGH FRONT PIPE EEZY LUNGE 88" LONG	1012688
2	X-OVER 2 3/8 X 1 5/8 - 6.5 DIAMOND PLATE + 4 U-BOLTS	101179-10
3	PLATE FOR SINGLE ROW + U-BOLTS	1012688-CL1
4	POST FOR DROP FRONT EEZY LUNGE	1012688-PST
5	FLOOR MOUNT PLATE	1012221
6	1 5/8" PRE-GALV HEADRAIL PIPE	1110400-1
7	COMFY CURVE HEADRAIL	1110420-48
8	HEAD TO HEAD CLAMPS + U BOLTS	1012688-CL

## EEZY LUNGE DROP DOWN FRONT FREESTALL DOUBLE ROW





## EEZY LUNGE DROP DOWN FRONT FREESTALL LAYOUT DOUBLE ROW / SINGLE ROW

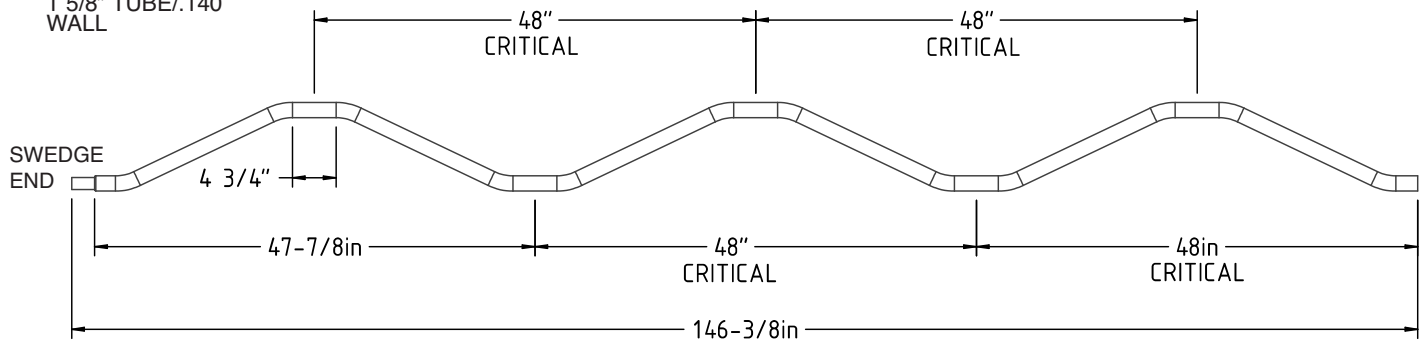


## COMFY CURVED HEADRAIL 1110420-48

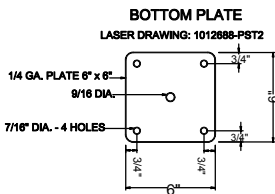
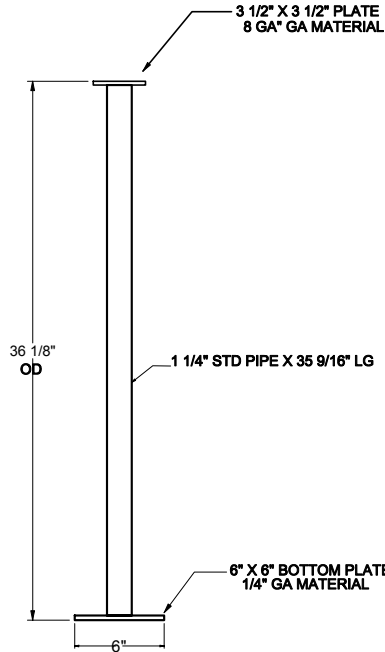
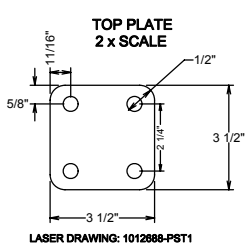
### C-1110430-48

FORMED NECKRAIL FOR  
48" OC STALLS

1 5/8" TUBE/.140  
WALL

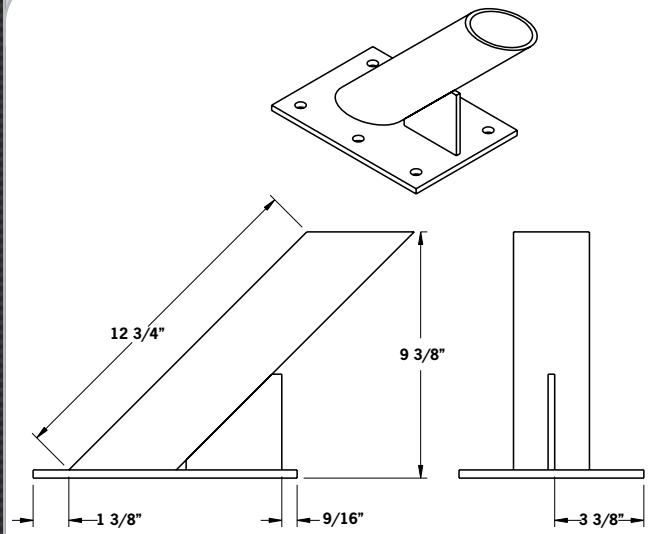


**1012688-PST**  
 36 1/8" POST

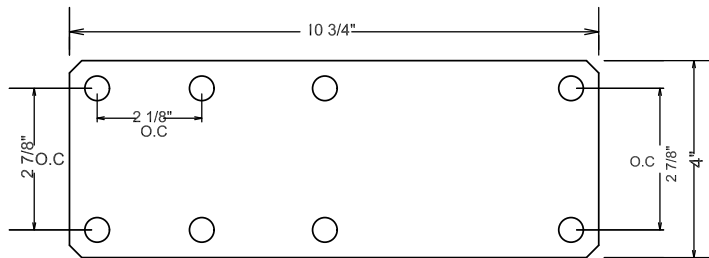


**1012221**

GALV. FLOOR MOUNT BRACKET/FREESTALL

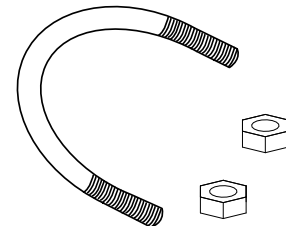


**1012688-CL1** - PLATE FOR SINGLE ROW + U-BOLTS

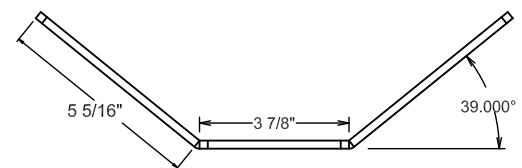
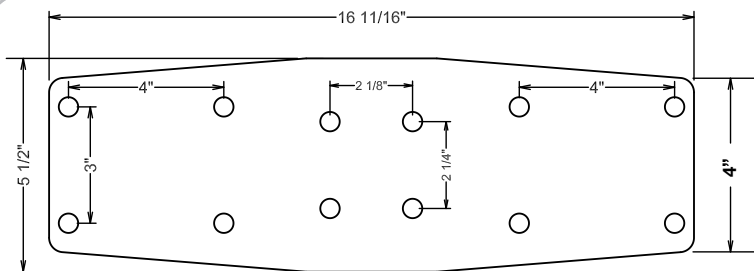


**20-620**

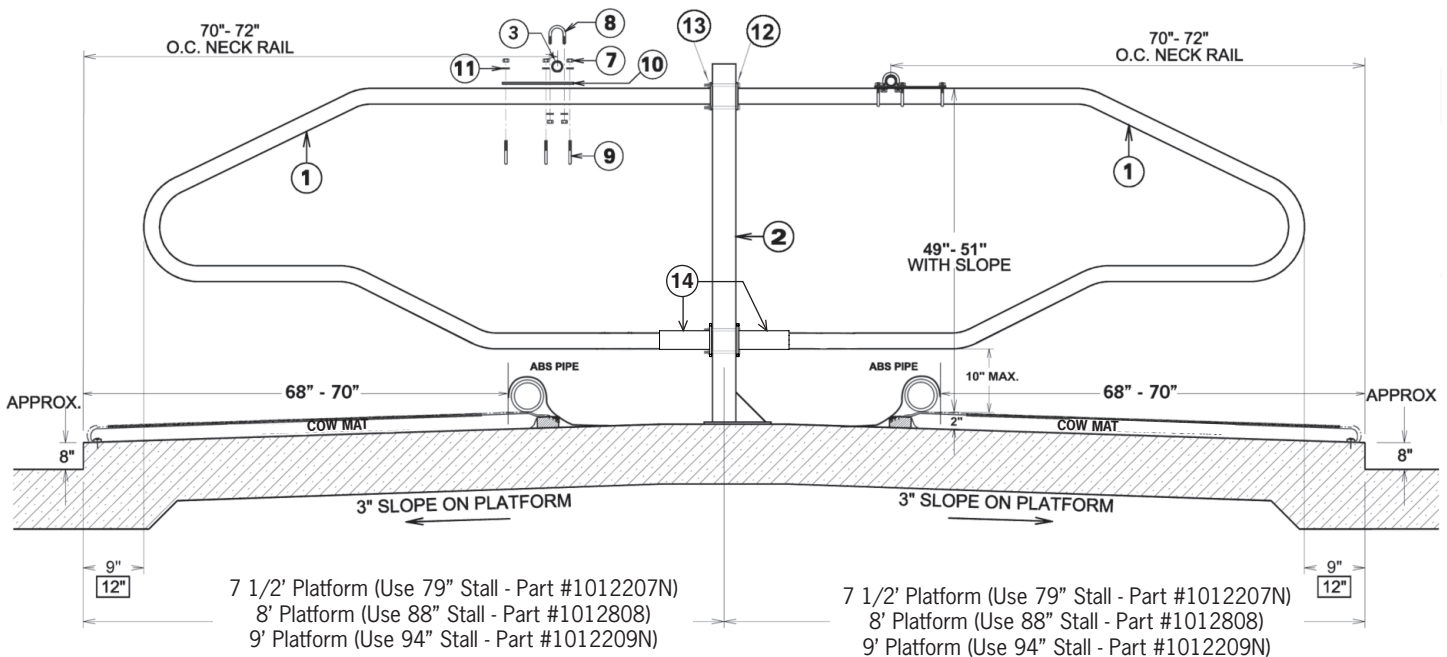
UBOLTS 1.75" ID X 2 3/8" LG (PKG 20)



**1012688-CL-** HEAD TO HEAD CLAMPS + U-BOLTS



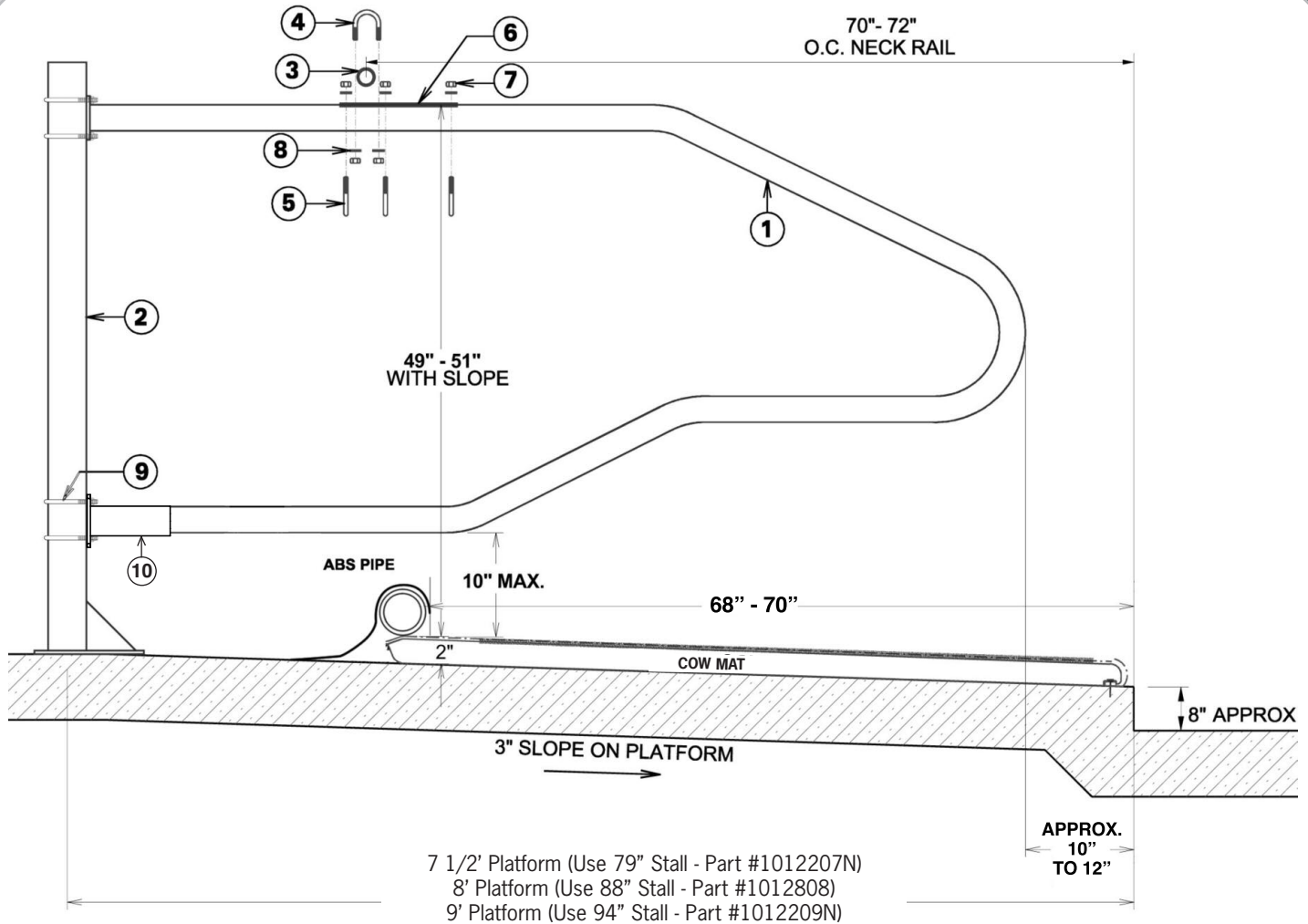
## SUSPENDED FREESTALL (COW) 79", 88" & 94" HEAD TO HEAD POST SYSTEMS



ILLUS.	DESCRIPTION	PART #
1	79" FREESTALL (5" PLATE) (39" HIGH) (9" OFFSET)	<b>1022207</b>
1	88" FREESTALL (5" PLATE) (39" HIGH) (9" OFFSET)	<b>1022208</b>
1	94" FREESTALL (5" PLATE) (39" HIGH) (9" OFFSET)	<b>1022209</b>
2	POST 56" (3.5" OD .150 WALL) BOLT DOWN	<b>1012491</b>
N/S	POST 64" (3.5" OD .150 WALL) CEMENT IN	<b>1012490</b>
3	1 5/8" PRE-GALV. HEADRAIL PIPE - 21 FT. LENGTH	<b>1110400-1</b>
8	U-BOLT ONLY 1.75" ID X 2 3/8" (20-6A)(20 pcs. /PKG)	<b>X-OVER 2 3/8" X 1 5/8" (10" PL + 5 U-BOLTS) 101169-10</b>
9	U-BOLT 3/8", 2.5" ID X 3.25" L US (20-5A)(30 pcs. /PKG)	
10	X-OVER PLATE ONLY 5" X 10" (10 pcs. /PKG)	
7	3/8" LOCK NUT (100 pcs. /PKG)	
11	3/8" WASHER (100 pcs. /PKG)	
	SP 6.5" SQ X-OVER PL ONLY GALV (10 pcs. /PKG)	<b>101179A</b>
	U-BOLT ONLY 1.75" ID X 2 9/16" LG (20 pcs. /PKG)	<b>20-6A</b>
	U-BOLT 3/8", 2.5" ID X 3.25" L US (20 pcs. /PKG)	<b>20-5A</b>
	3/8-16 N.I. LOCK NUT, US (81 pcs. /PKG)	<b>NUT3/8LN</b>
	+3/8" FLAT WASHER, US (81 pcs. /PKG)	<b>WAS3/8</b>
12	US 1/2" X 5" HX BOLT (50 pcs./BOX)	<b>90B1/2-5</b>
13	US 1/2" NYLON LOCKNUT (50 pcs./BOX)	<b>90N1/2L</b>
14	FREESTALL MNT 8" COLLAR + PL	<b>1012200-SL</b>

**FOR INFORMATION ON BRISKET BRACKET, ABS PIPE & ACCESSORIES (SEE FREESTALLS-22)**

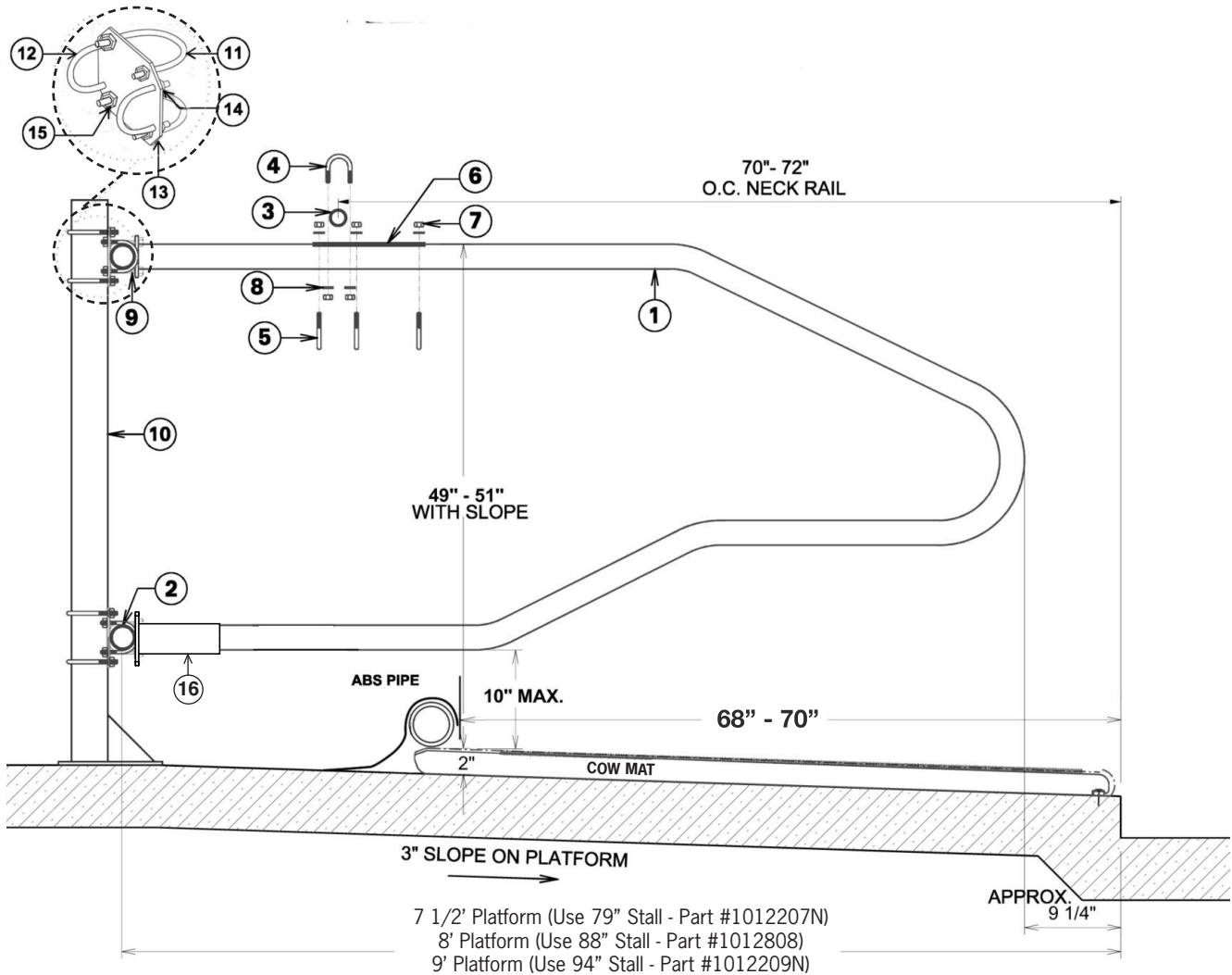
## SUSPENDED FREESTALL (COW) 79", 88" & 94" POST SYSTEMS



ILLUS.	DESCRIPTION	PART #
1	79" FREESTALL (5" PLATE) (39" HIGH) (9" OFFSET)	<b>1022207</b>
1	88" FREESTALL (5" PLATE) (39" HIGH) (9" OFFSET)	<b>1022208</b>
1	94" FREESTALL (5" PLATE) (39" HIGH) (9" OFFSET)	<b>1022209</b>
2	POST 56" (3.5" OD .150 WALL) BOLT DOWN	<b>1012491</b>
N/S	POST 64" (3.5" OD .150 WALL) CEMENT IN	<b>1012490</b>
3	PRE GALV 1 5/8" HEADRAIL PIPE - 21 FT. LENGTH	<b>1110400-1</b>
4	U-BOLT 1.75" ID X 2 3/8" LG. (20-6A)(20 pcs. /PKG)	
5	U-BOLT 3/8", 2.5" ID X 3.25" LG. (20-5A)(30 pcs. /PKG)	
6	X-OVER PLATE ONLY 5" X 10" (10 pcs. /PKG)	X-OVER 2 3/8" X 1 5/8" (10" PL + 5 U-BOLTS) <b>101169-10</b>
7	3/8" LOCK NUT (100 pcs. /PKG)	
8	3/8" WASHER (100 pcs. /PKG)	
	SP 6.5" SQ X-OVER PL ONLY GALV (10 pcs. /PKG)	<b>101179A</b>
	U-BOLT ONLY 1.75" ID X 2 9/16" LG (20 pcs. /PKG)	<b>20-6A</b>
	U-BOLT 3/8, 2.5ID X 3.25L US (20 pcs. /PKG)	<b>20-5A</b>
	3/8-16 N.I. LOCK NUT, US (81 pcs. /PKG)	<b>NUT3/8LN</b>
	+3/8" FLAT WASHER, US (81 pcs. /PKG)	<b>WAS3/8</b>
9	U-BOLT 1/2", 3 9/16" ID X 4 5/8" LG. (BOX/20)	<b>20-720</b>
10	FREESTALL MNT 8" COLLAR + PL	<b>1012200-SL</b>

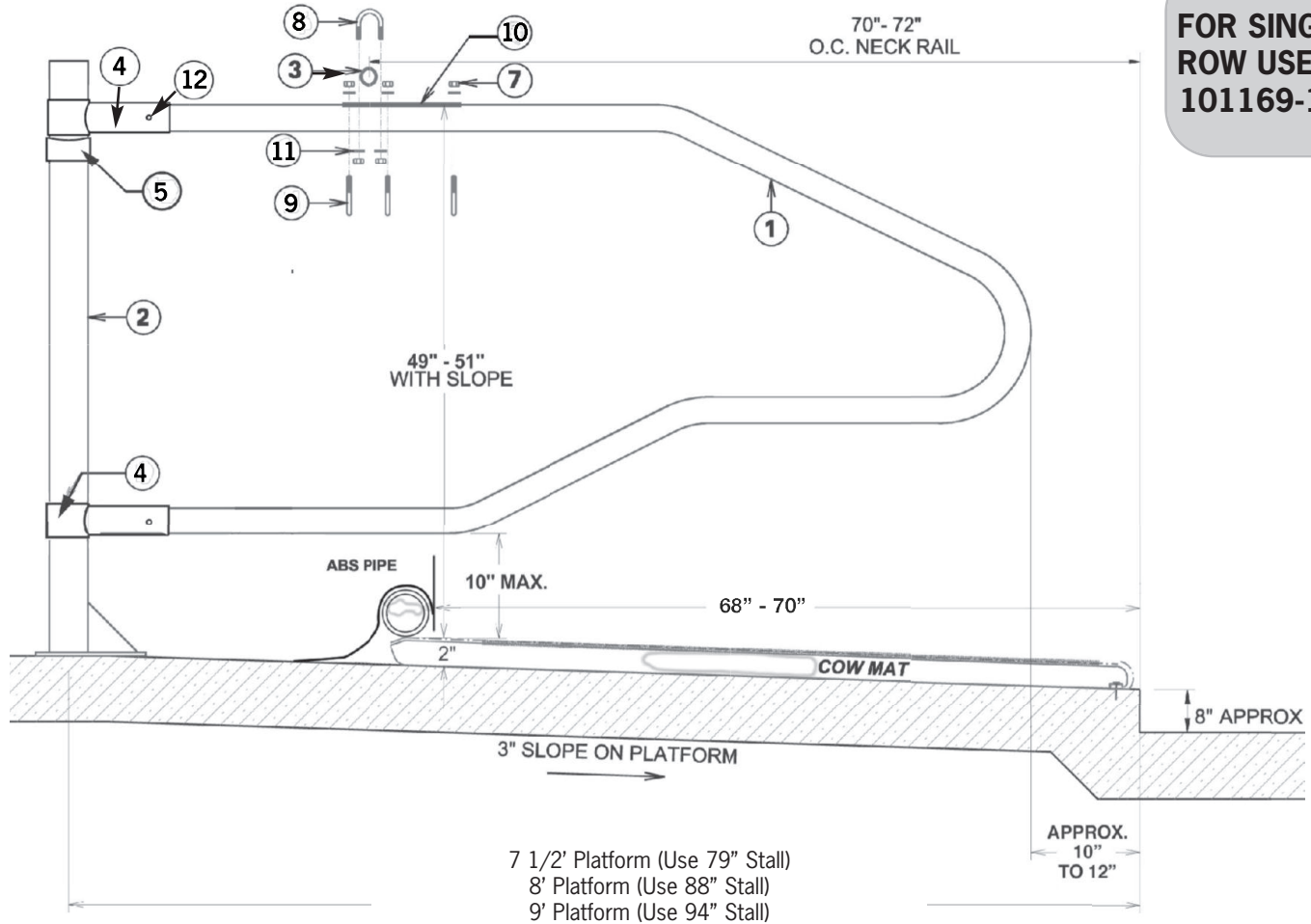
FOR INFORMATION ON BRISKET BRACKET, ABS PIPE & ACCESSORIES (SEE FREESTALLS-22)

## SUSPENDED FREESTALL (COW) 88" Pipe & Rail System



ILLUS.	DESCRIPTION	PART #
1	79" FREESTALL (5"PL) (39"H) (9" OFFSET)	1022207
1	88" FREESTALL (5"PL) (39"H) (9" OFFSET)	1022208
2	2 3/8" OD GALV. PIPE - 21' LENGTH	1110475-1
3	PRE GALV 1 5/8" HEADRAIL PIPE - 21 FT. LENGTH	1110400-1
4	U-BOLT 1.75" ID X 2 3/8" LG. (20-6A)(20 pcs. /PKG)	X-OVER 2 3/8" X 1 5/8" (10"PL + 5 U-BOLTS) 101169-10
5	U-BOLT 3/8", 2.5" ID X 3.25" LG. (20-5A)(30 pcs. /PKG)	
6	X-OVER PLATE ONLY 5" X 10" (20-6A)(20 pcs. /PKG)	
7	3/8" LOCK NUT (100 pcs. /PKG)	
8	3/8" WASHER (100 pcs. /PKG)	
9	3/8" U-BOLT 2.5" ID X 3.25" LG. (20-5A)(20 pcs. /PKG)	20-520
10	56" LG. FREESTALL BOLT DOWN POST (3.5" OD)	1012491
11	U-BOLT 1/2", 3 9/16" ID X 4 5/8" LG. (20 pcs. / PKG)	X-OVER 3.5" X 2 3/8" BX/10 1011540-10
12	U-BOLT 3/8", 2.5" ID X 3.25" LG. (20 pcs. / PKG)	
13	X-OVER PL ONLY 3.5" TO 2 3/8" (10 pcs. / PKG)	
14	3/8" LOCK NUT (40 pcs. / PKG)	
15	1/2" LOCK NUT (40 pcs. / PKG)	
N/S	3/8" WASHER (40 pcs. / PKG)	
16	FREESTALL MNT 8" COLLAR + PL	1012200-SL
<b>FOR INFORMATION ON BRISKET BRACKET, ABS PIPE &amp; ACCESSORIES (SEE FREESTALLS-22)</b>		

## SLEEVE & COLLAR MOUNT FREESTALL SINGLE ROW

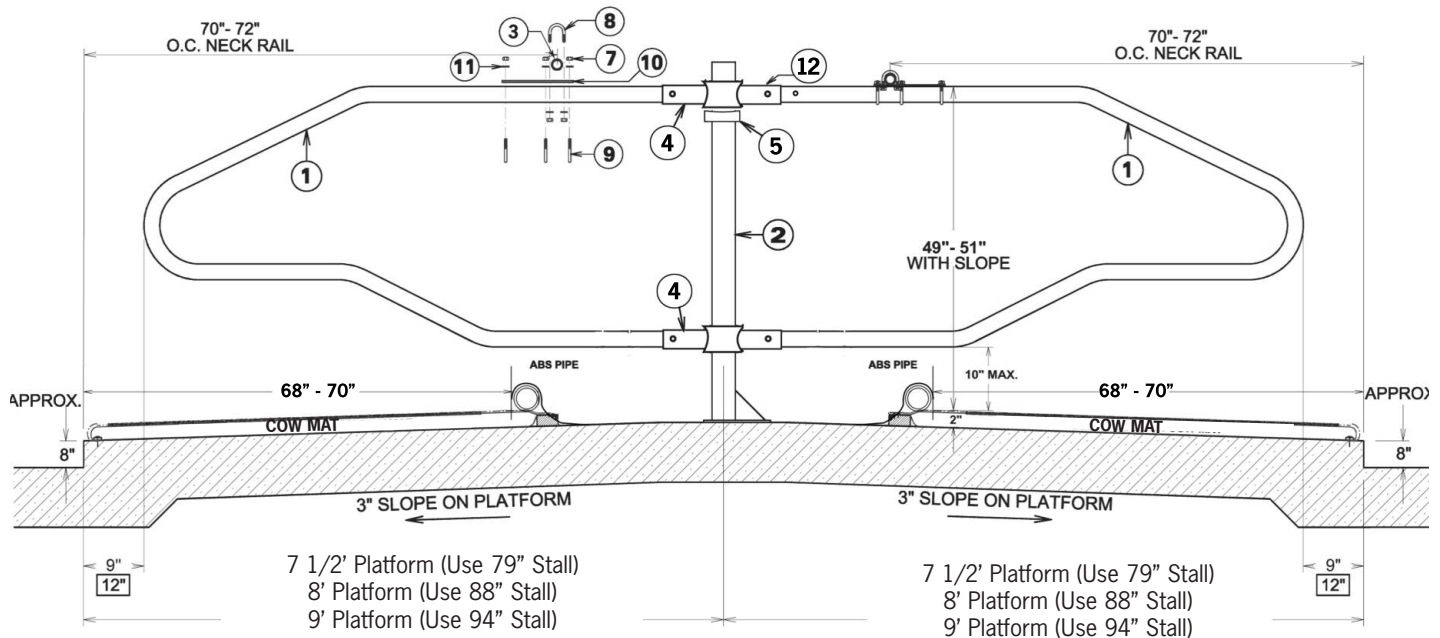


**FOR SINGLE  
ROW USE  
101169-10**

ILLUS.	DESCRIPTION	PART #
1	79" GALV. SLEEVE & COLLAR MOUNT FREESTALL (39" HIGH) (9" OFFSET) - NO PLATE	1012487
1	88" GALV. SLEEVE & COLLAR MOUNT FREESTALL (39" HIGH) (9" OFFSET) - NO PLATE	1012818
1	94" GALV. SLEEVE & COLLAR MOUNT FREESTALL (39" HIGH) (9" OFFSET) - NO PLATE	1012489
2	POST 56" (3.5" OD .150 WALL) BOLT DOWN	1012491
N/S	POST 64" (3.5" OD .150 WALL) CEMENT IN	1012490
3	PRE GALV 1 5/8" HEADRAIL PIPE - 21 FT. LENGTH	1110400-1
4	GALV. SINGLE MOUNT/STALL	1012300S
5	BOLT ON COLLAR	1440009CB
8	U-BOLT 1.75" ID X 2 3/8" LG. (20-6A)(20 pcs./PKG)	X-OVER 2 3/8" X 1 5/8" (10" PL + 5 U-BOLTS) 101169-10
9	U-BOLT 3/8", 2.5" ID X 3.25" LG. (20-5A)(30 pcs./PKG)	
10	X-OVER PLATE ONLY 5" X 10" (10 pcs./PKG)	
7	3/8" LOCK NUT (100 pcs./PKG)	
11	3/8" WASHER (100 pcs./PKG)	
	SP 6.5" SQ X-OVER PL ONLY GALV (10 pcs./PKG)	101179A
	U-BOLT ONLY 1.75" ID X 2 9/16" LG (20 pcs./PKG)	20-6A
	U-BOLT 3/8, 2.5ID X 3.25L US (20 pcs./PKG)	20-5A
	3/8-16 N.I. LOCK NUT, US (81 pcs./PKG)	NUT3/8LN
	+3/8" FLAT WASHER, US (81 pcs./PKG)	WAS3/8
12	3/8" X 3 1/2" HEX BOLT (50 pcs./PKG)	90B1/2-5

FOR INFORMATION ON BRISKET BRACKET, ABS PIPE & ACCESSORIES (SEE FREESTALLS-22)

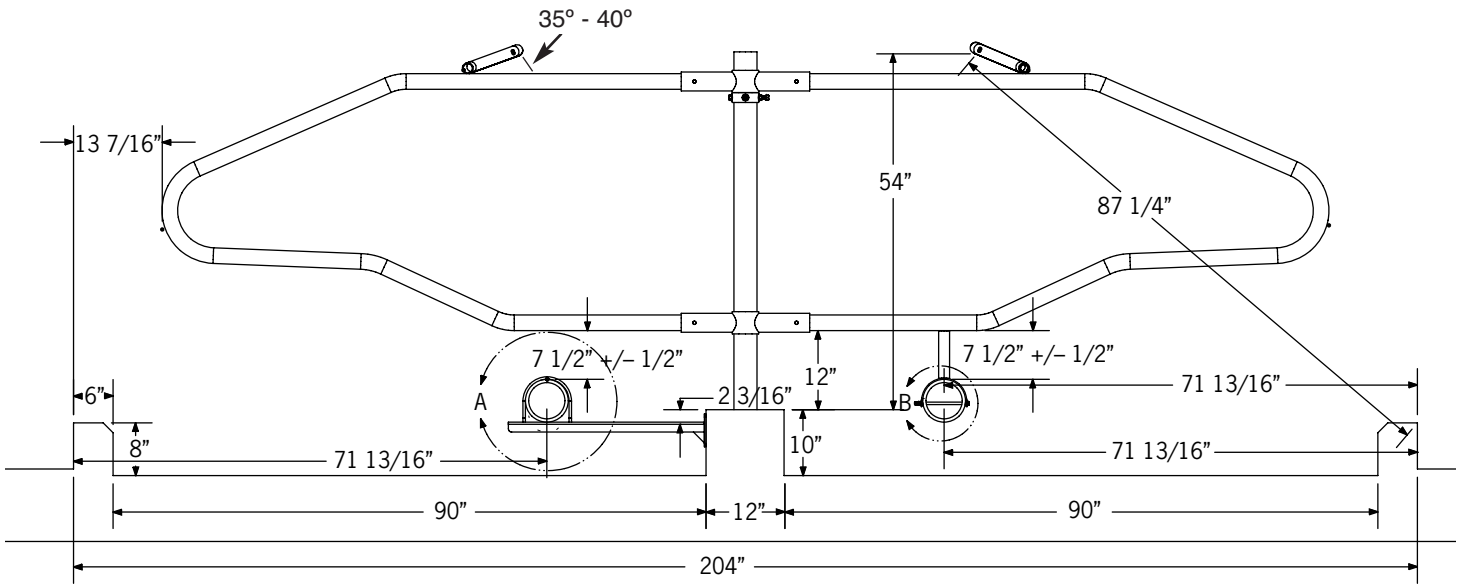
## SLEEVE & COLLAR MOUNT FREESTALL DOUBLE ROW



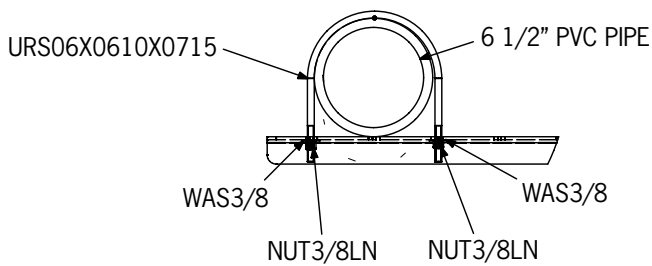
ILLUS.	DESCRIPTION	PART #
1	79" GALV. SLEEVE & COLLAR MOUNT FREESTALL (39" HIGH) (9" OFFSET) - NO PLATE	1012487
1	88" GALV. SLEEVE & COLLAR MOUNT FREESTALL (39" HIGH) (9" OFFSET) - NO PLATE	1012818
1	94" GALV. SLEEVE & COLLAR MOUNT FREESTALL (39" HIGH) (9" OFFSET) - NO PLATE	1012489
2	POST 56" (3.5" OD .150 WALL) BOLT DOWN	1012491
N/S	POST 64" (3.5" OD .150 WALL) CEMENT IN	1012490
3	PRE GALV 1 5/8" HEADRAIL PIPE - 21 FT. LENGTH	1110400-1
4	GALV. DBL MOUNT/STALL	1012300D
5	BOLT ON COLLAR	1440009CB
8	U-BOLT 1.75" ID X 2 3/8" LG. (20-6A)(20 pcs./PKG)	X-OVER 2 3/8" X 1 5/8" (10" PL + 5 U-BOLTS) 101169-10
9	U-BOLT 3/8", 2.5" ID X 3.25" LG. (20-5A)(30 pcs./PKG)	
10	X-OVER PLATE ONLY 5" X 10" (10 pcs./PKG)	
7	3/8" LOCK NUT (100 pcs./PKG)	
11	3/8" WASHER (100 pcs./PKG)	
	SP 6.5" SQ X-OVER PL ONLY GALV (10 pcs. /PKG)	101179A
	U-BOLT ONLY 1.75" ID X 2 9/16" LG (20 pcs. /PKG)	20-6A
	U-BOLT 3/8, 2.5ID X 3.25L US (20 pcs. /PKG)	20-5A
	3/8-16 N.I. LOCK NUT, US (81 pcs. /PKG)	NUT3/8LN
	+3/8" FLAT WASHER, US (81 pcs. /PKG)	WAS3/8
12	3/8" X 3 1/2" HEX BOLT	90B1/2-5

FOR INFORMATION ON BRISKET BRACKET, ABS PIPE & ACCESSORIES (SEE FREESTALLS-22)

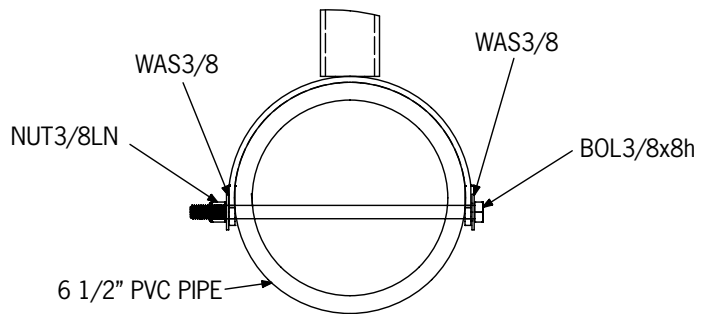
## SLEEVE AND COLLAR MOUNT FREESTALL DOUBLE ROW



**1012580**  
 CURB MOUNT BRISKET BRACKET



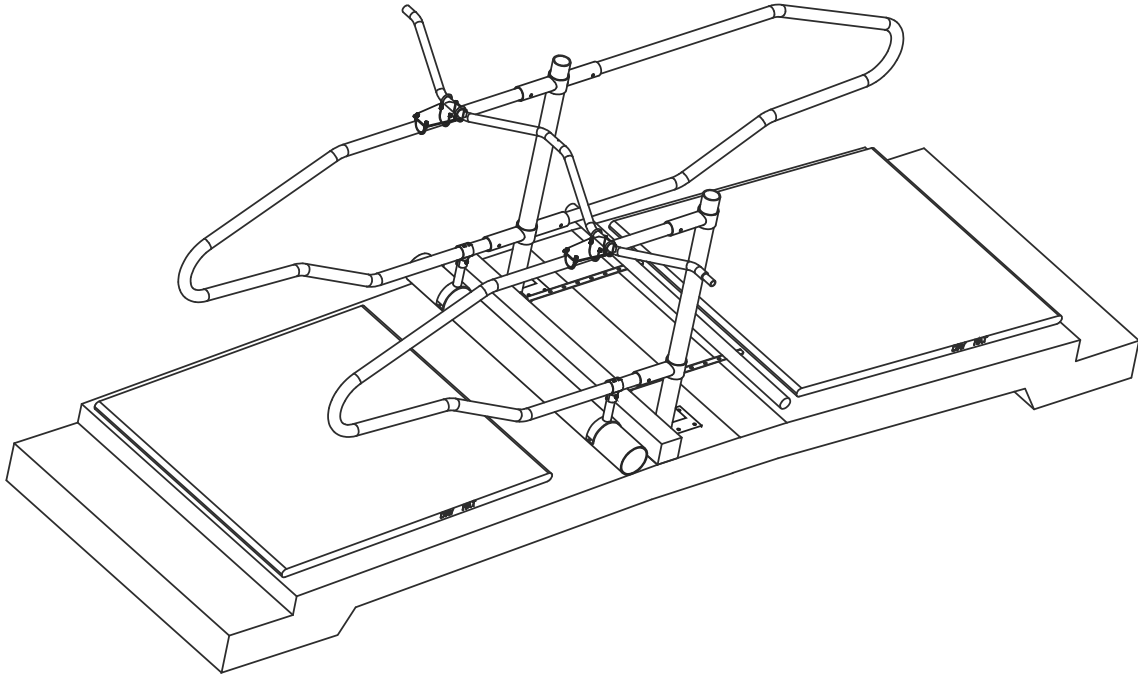
**1012575**  
 BRISKET BRACKET WITH T-CLAMP



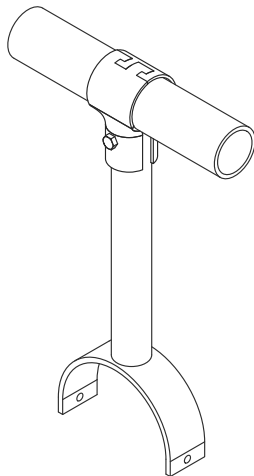


## SLEEVE AND COLLAR FREESTALL LAYOUT

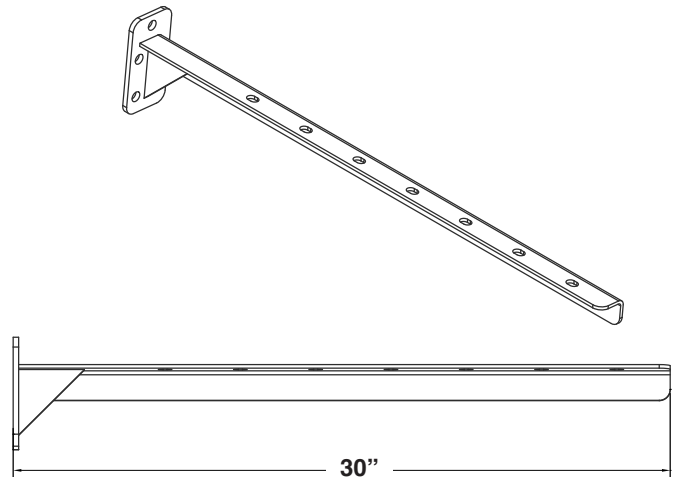
1012575 / 1012580



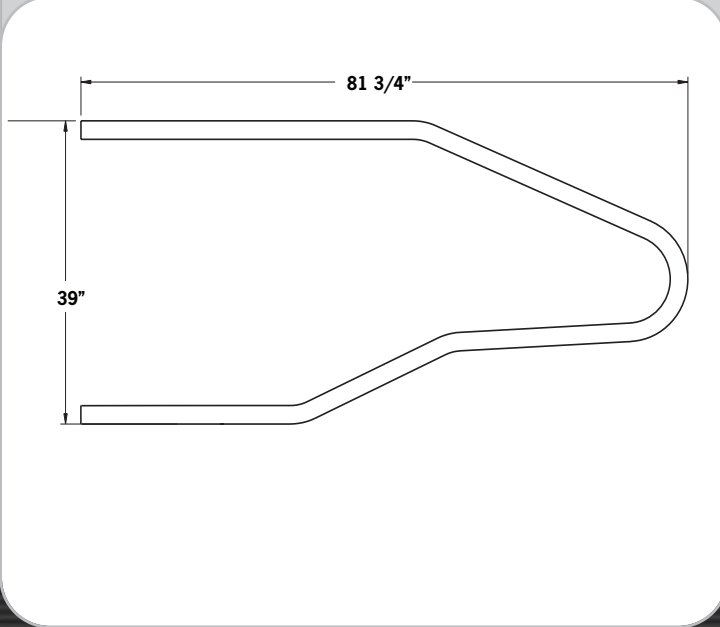
**1012575**  
BRISKET BRACKET WITH T-CLAMP



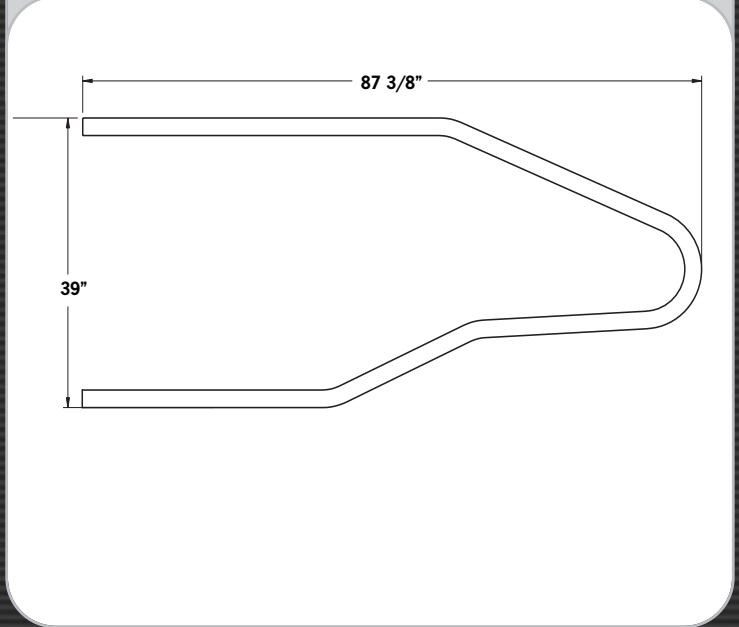
**1012580**  
CURB MOUNT BRISKET BRACKET



**79" GALV. FREESTALL - NO PLATES - 1012487**  
2 3/8" Tube/.125 Wall



**88" GALV. FREESTALL - NO PLATES - 1012818**  
2 3/8" Tube/.125 Wall

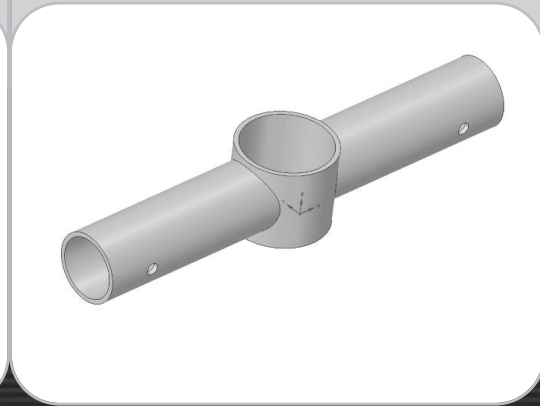


## COLLARS

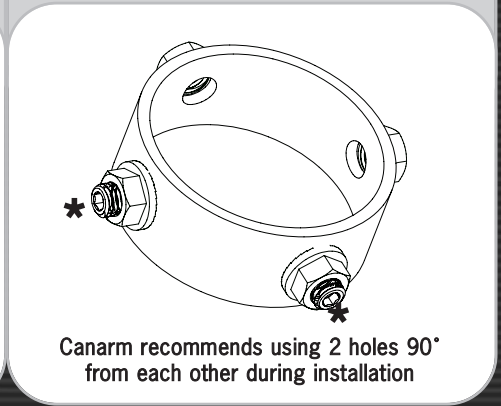
**1012300S**  
GALV. SINGLE MOUNT



**1012300D**  
GALV. DOUBLE MOUNT



**1440009CB**  
4" OD 2" WIDE BOLT ON COLLAR GALV.

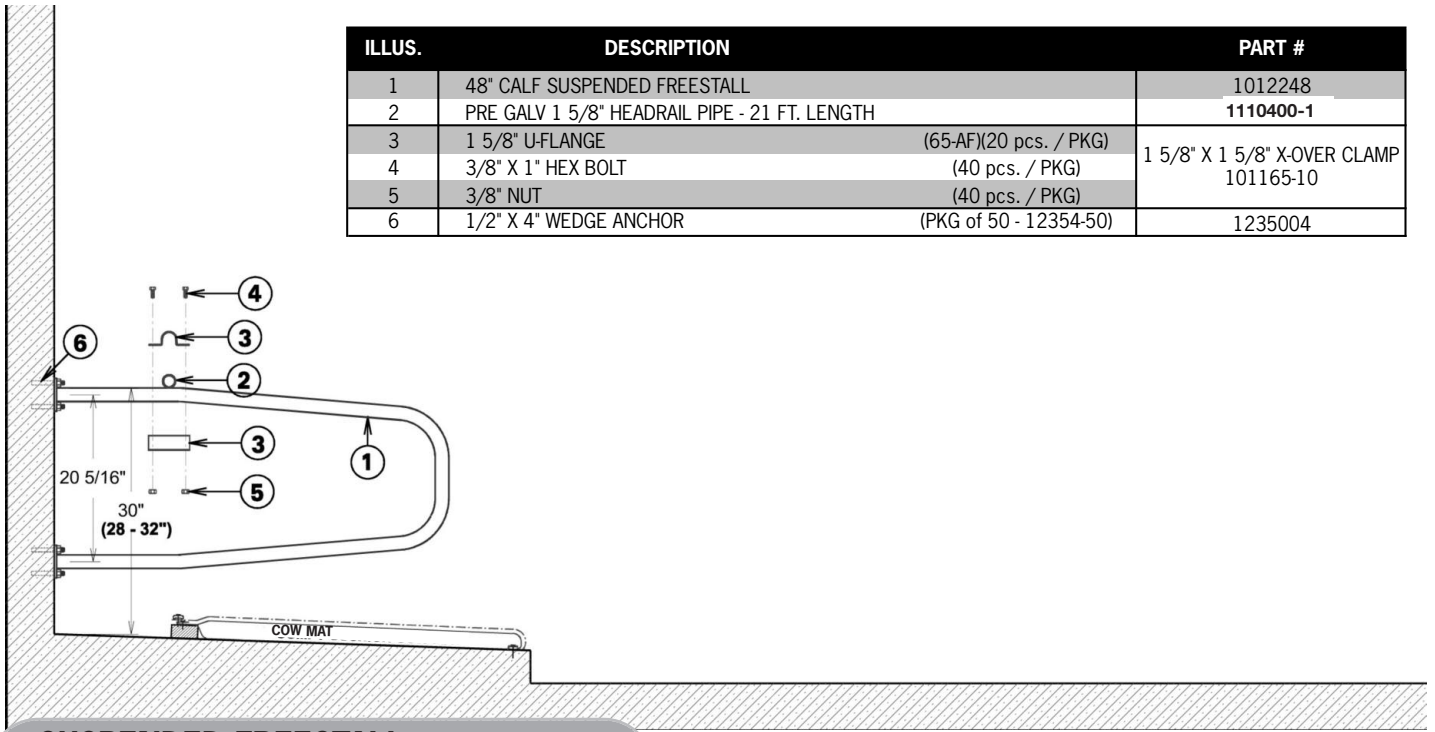


### COLLAR MOUNT FREESTALL PARTS

DESCRIPTION	PART #
4" OD 2" WIDE BOLT ON COLLAR GALV KIT (C/W 2 SET SCREWS)	1440009CB
GLV. SNGL/MNT/COLLAR MNT	1012300S
GLV. DBL/MNT/COLLAR MNT	1012300D
GALV. P. 4' X 10 3/4" + U-BOLT (SINGLE MOUNT)	1012223
POST 56" (3.5" OD .150 WALL) (16' - 20' SPACING) BOLT DOWN	1012491
GALV. PL 5 3/8" X 17 3/8" U-BOLTS (DOUBLE MOUNT)	1012225
X-OVER 2 3/8" X 1 5/8" (10"PL + 5-U-BOLTS) - BOX OF 10	101169-10
X-OVER 2 3/8" X 1 5/8" (DIAMOND SHAPED PLATE + U-BOLT) - BOX OF 10	101179-10

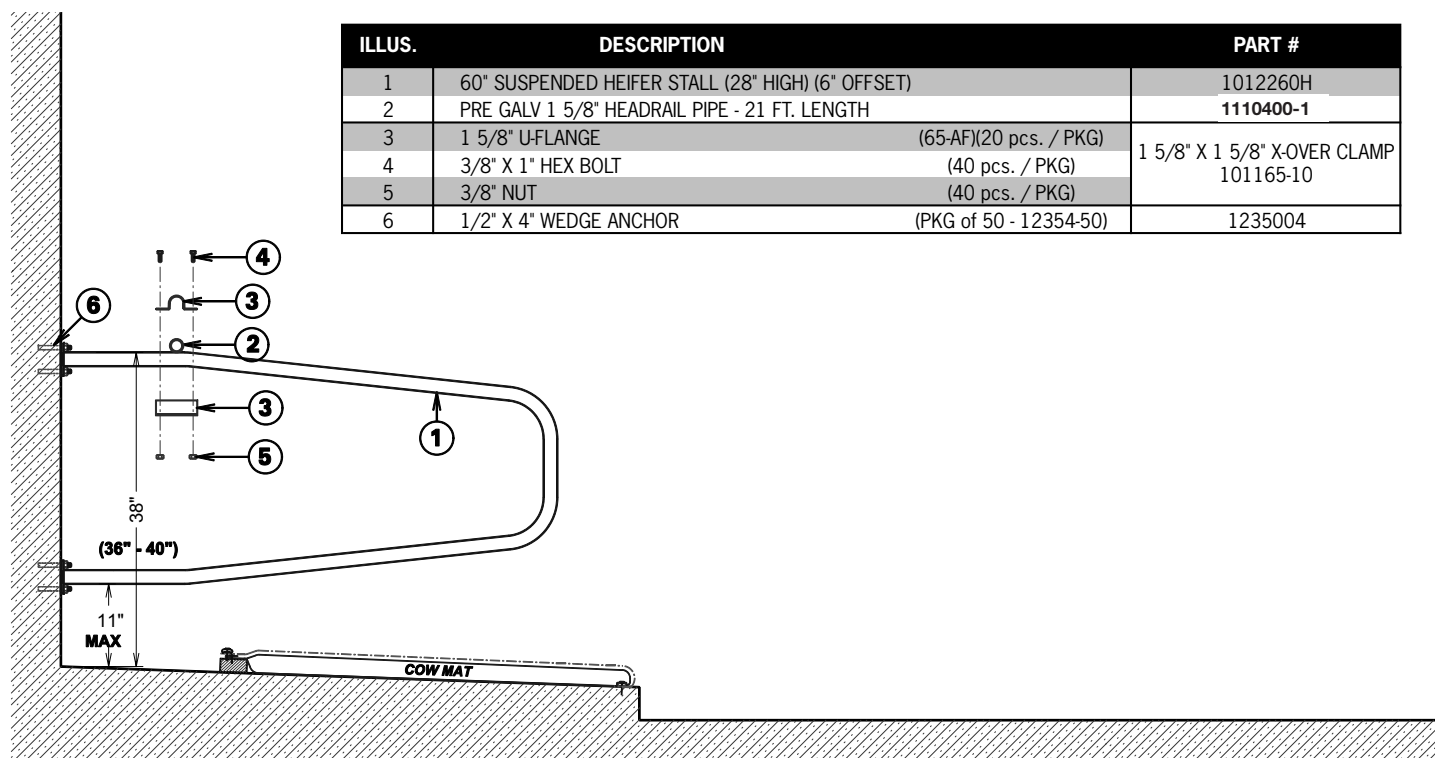
## SUSPENDED FREESTALL 48" Calf Stall

ILLUS.	DESCRIPTION	PART #
1	48" CALF SUSPENDED FREESTALL	1012248
2	PRE GALV 1 5/8" HEADRAIL PIPE - 21 FT. LENGTH	1110400-1
3	1 5/8" U-FLANGE (65-AF)(20 pcs. / PKG)	1 5/8" X 1 5/8" X-OVER CLAMP 101165-10
4	3/8" X 1" HEX BOLT (40 pcs. / PKG)	
5	3/8" NUT (40 pcs. / PKG)	
6	1/2" X 4" WEDGE ANCHOR (PKG of 50 - 12354-50)	1235004



## SUSPENDED FREESTALL 60" Heifer Stall

ILLUS.	DESCRIPTION	PART #
1	60" SUSPENDED HEIFER STALL (28" HIGH) (6" OFFSET)	1012260H
2	PRE GALV 1 5/8" HEADRAIL PIPE - 21 FT. LENGTH	1110400-1
3	1 5/8" U-FLANGE (65-AF)(20 pcs. / PKG)	1 5/8" X 1 5/8" X-OVER CLAMP 101165-10
4	3/8" X 1" HEX BOLT (40 pcs. / PKG)	
5	3/8" NUT (40 pcs. / PKG)	
6	1/2" X 4" WEDGE ANCHOR (PKG of 50 - 12354-50)	1235004

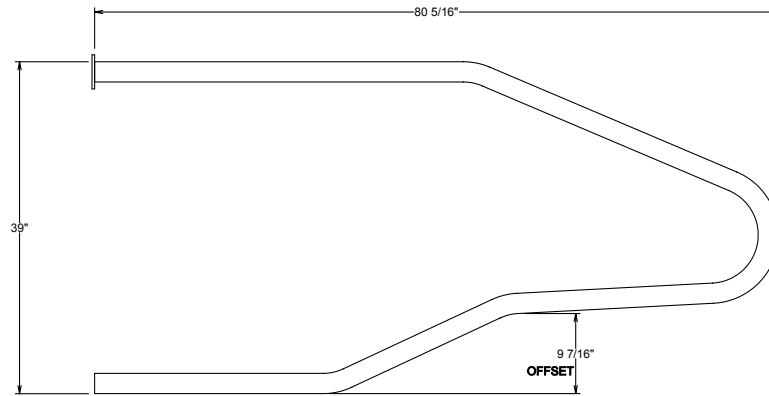


# FREESTALL DIMENSIONS - COW



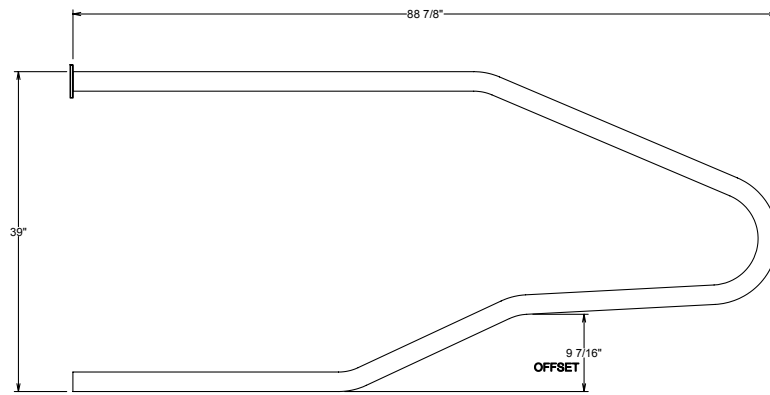
**1022207**

79.5" FREESTALL/COW  
 2 3/8" Tube/.125  
 Wall (9" Offset)



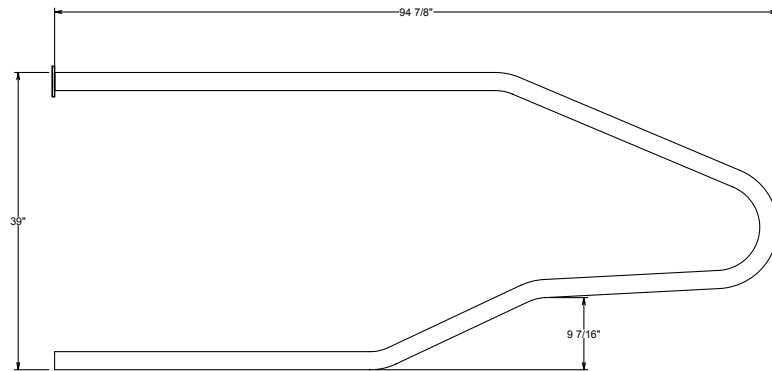
**1022208**

88" FREESTALL/COW  
 2 3/8" Tube/.125  
 Wall (9" Offset)



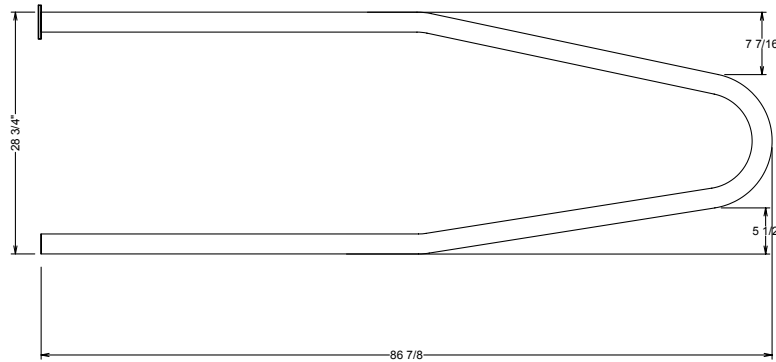
**1022209**

94" FREESTALL/COW  
 2 3/8" Tube/.125  
 Wall (9" Offset)



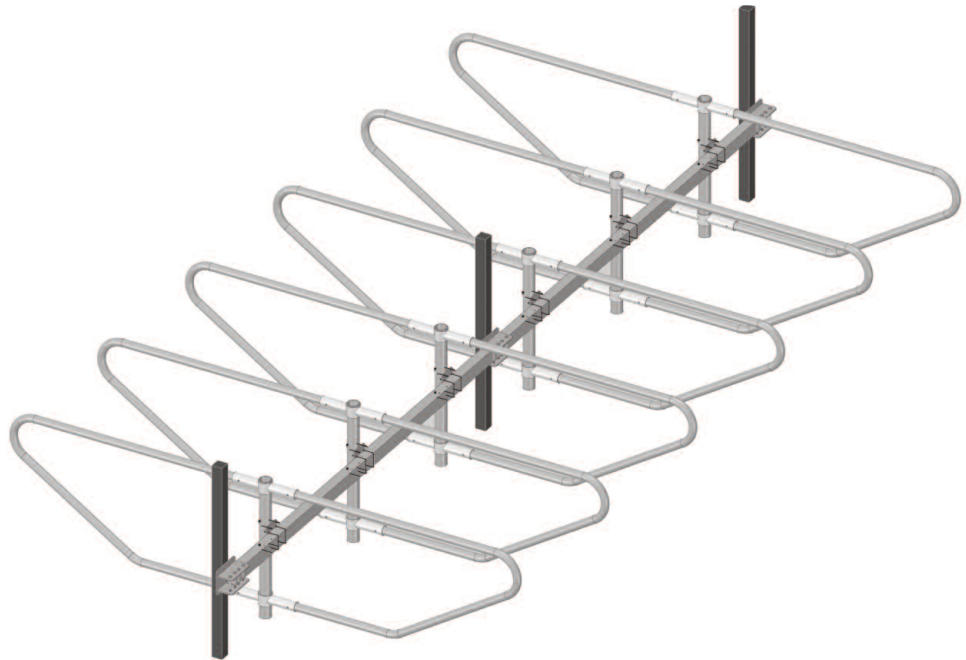
**1022588**

87" LG GALV FREESTALL  
 LOOP (SAND STALL)  
 2 3/8" Tube/.125 Wall  
 (9" Offset)



# FREESTALL ASSEMBLY & DIMENSIONS - COW

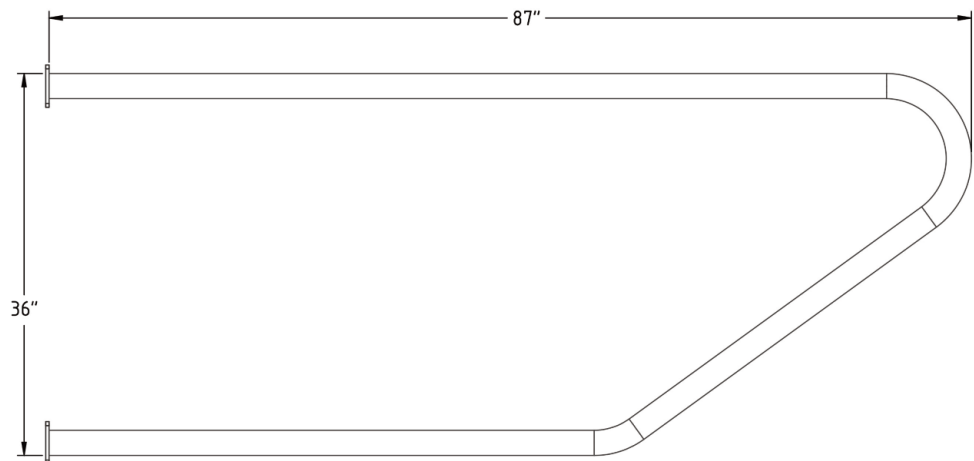
## BEAM MOUNT FREESTALL ASSEMBLY



Call for Pricing

### SPE19943-87

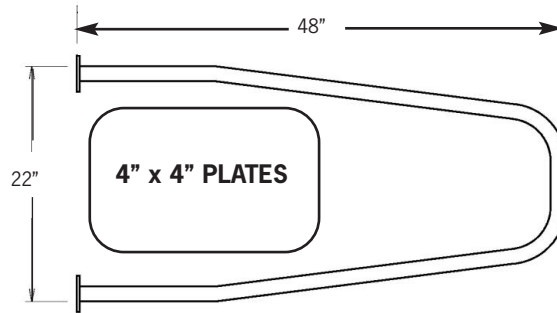
87" FREESTALL  
2 3/8" TUBE/.125WALL



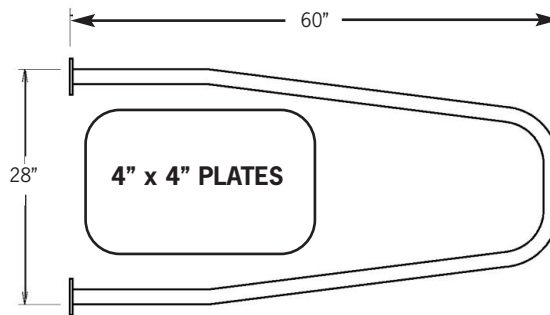
# FREESTALL DIMENSIONS - HEIFER & CALF



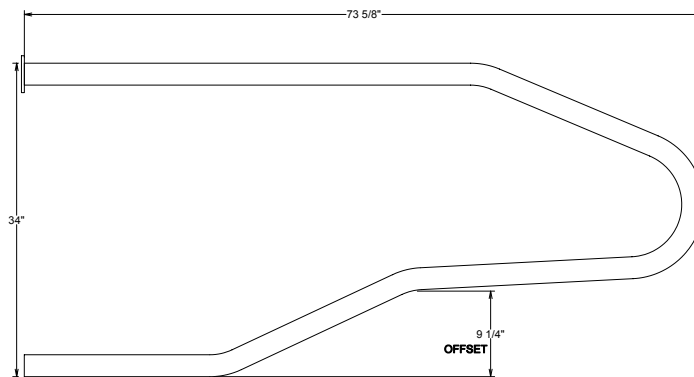
**1012248**  
 48" FREESTALL/CALF  
 1 5/8" Tube/.140 Wall



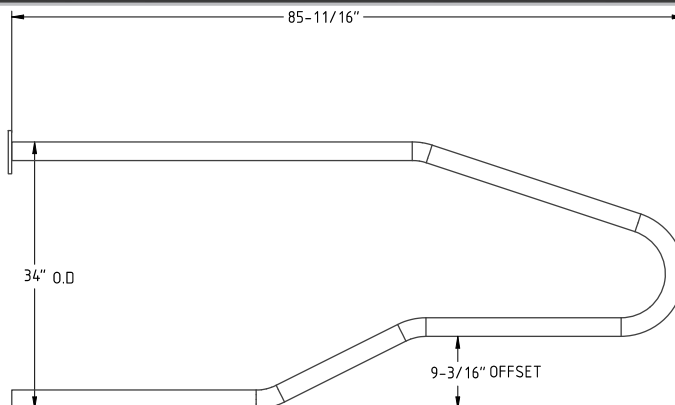
**1012260H**  
 60" FREESTALL/HEIFER  
 1 5/8" Tube/.140 Wall



**1022206**  
 73" FREESTALL  
 (5" PL)(33" H)  
 2 3/8" Tube/.125 Wall  
 (9" Offset)

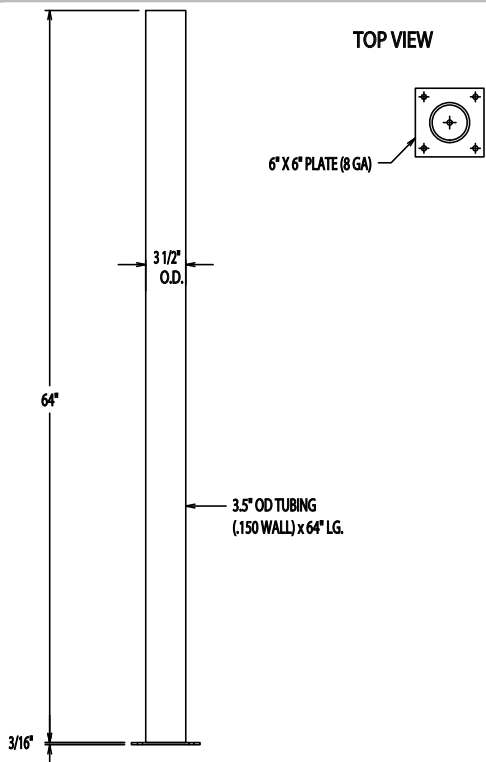


**1022218**  
 85" FREESTALL  
 (5" PL)(34" H)  
 2 3/8" Tube/.125 Wall



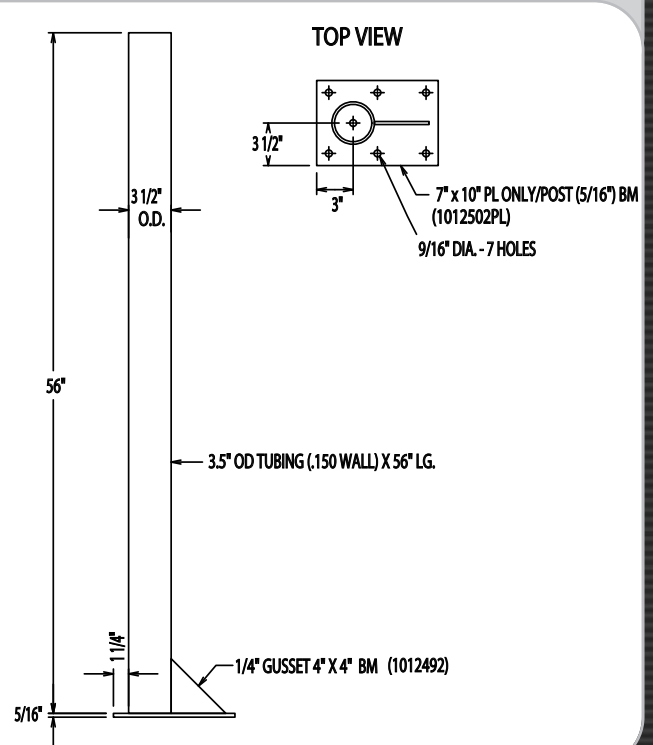
### 1012490

64" POST - (3.5" OD .150W) Cement In



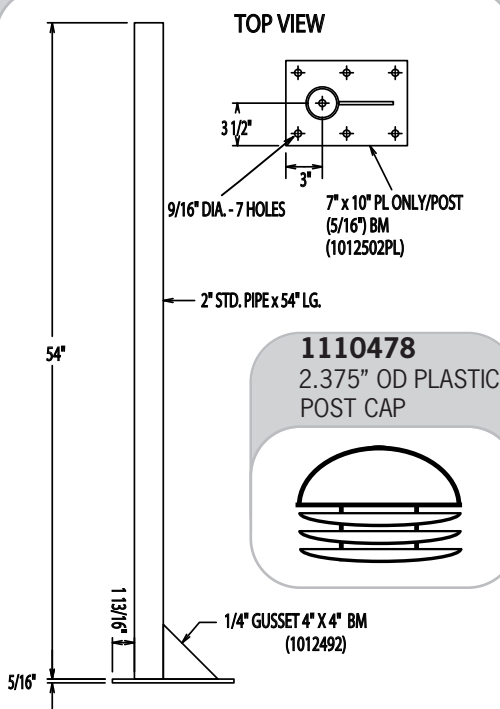
### 1012491

56" POST - (3.5" OD .150W) Bolt Down



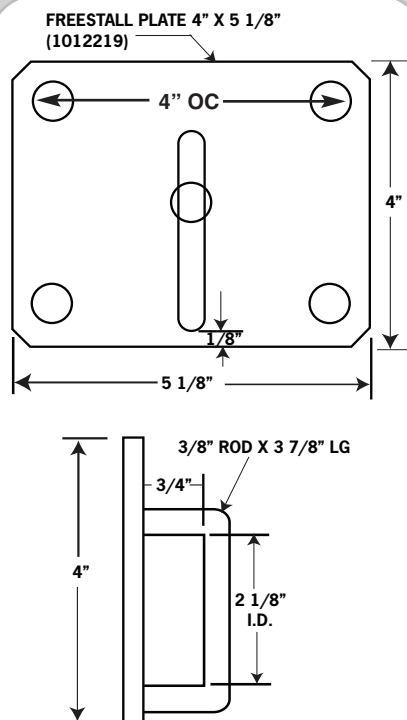
### 1012495

54" POST - (2.375" OD .154W) Bolt Down FOR 48" & 60" STALLS ONLY



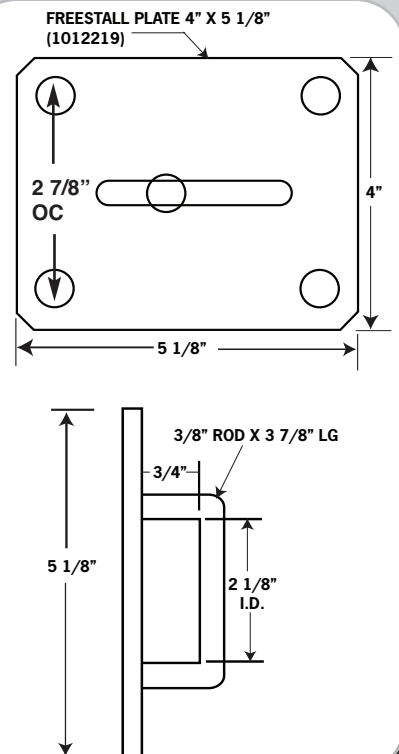
### 1012494

GALV. PLATE MOUNT/2" POLY STRAP 3 1/2" POST MOUNT

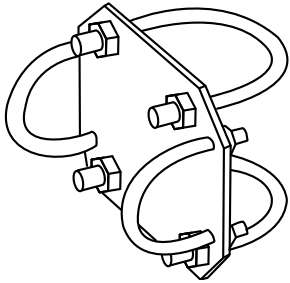


### 1012494-AB

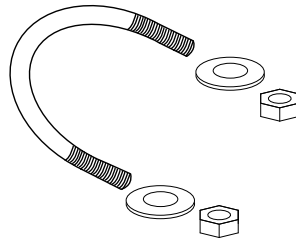
GALV. PLATE MOUNT/2" POLY STRAP FREESTALL MOUNT



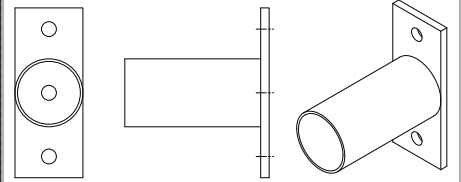
**1011540-10**  
 X-OVER PLATE WITH U-BOLTS



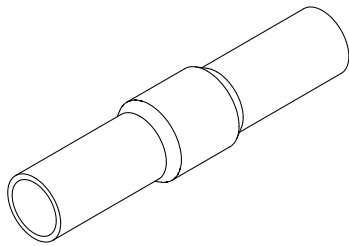
**20-620**  
 U-BOLTS 1.75" ID X 2 3/8" LG (PKG 20)  
**20-720**  
 U-BOLTS (1/2") 3 9/16" ID (BOX OF 20)  
**20-520**  
 U-BOLTS 2.5" ID (BOX OF 20)



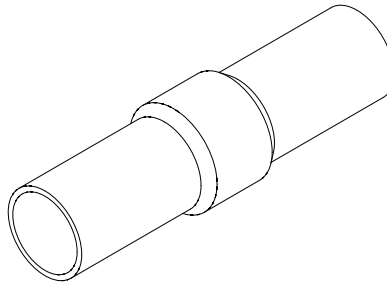
**1110476-5**  
 END JOINER / 2 3/8" (BOX OF 5)



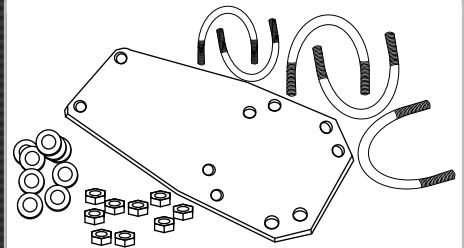
**1110401-5**  
 HEADRAIL JOINER / 1 5/8" OD  
 PIPE (BOX OF 5)



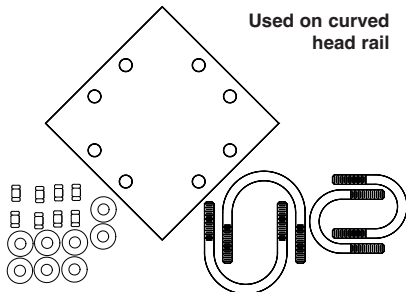
**1110477-5**  
 HEADRAIL JOINER / 2 3/8" OD  
 PIPE (BOX OF 5)



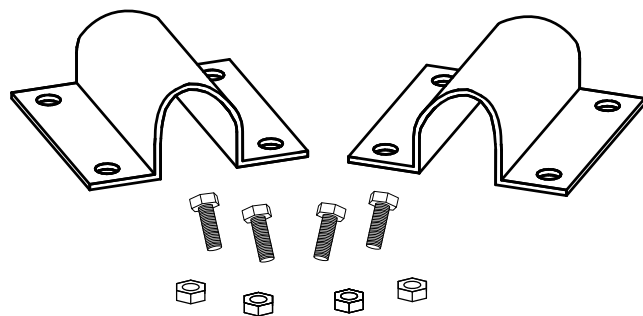
**101169-10**  
 HD X-OVER (U-BOLT) 2 3/8" X 1 5/8"  
 (BOX OF 10)



**101179-10**  
 DIAMOND HEAD RAIL CLAMP  
 6 1/2" SQ. PL. + U-BOLTS

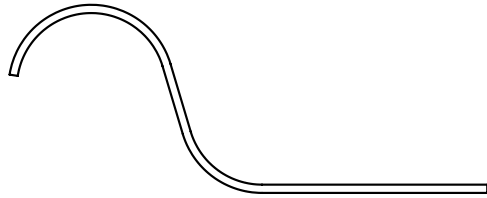


**101166-10** - X-OVER 2 3/8" X 1 5/8" (BOX OF 10)  
**101165-10** - X-OVER 2 PC. 1 5/8" (BOX OF 10)  
**101167-10** - X-OVER 2 3/8" X 2 3/8" (BOX OF 10)

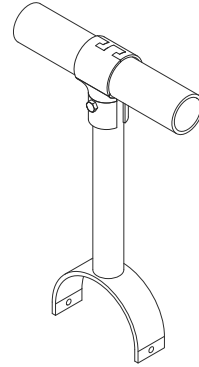




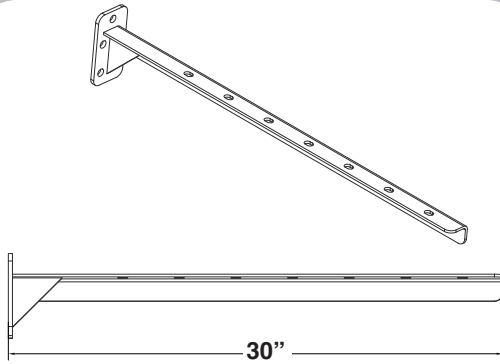
**1012570**  
GLV FLOOR MOUNT BRISKET BRACKET



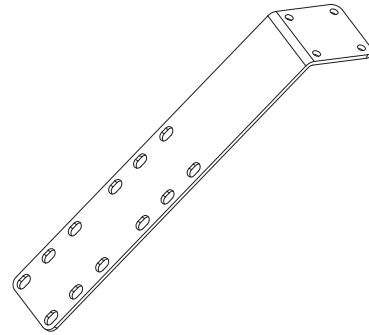
**1012575**  
BRISKET BRACKET WITH T-CLAMP



**1012580**  
CURB MOUNT BRISKET BRACKET



**1012590**  
BRACKET



# INSTALLATION GUIDELINES FOR FREESTALLS & SELF LOCKING FEED FRONTS



HEIFER SIZE & WEIGHT			FREESTALLS										SELF LOCK FEED FRONTS			
Approx. Age (months)	Approx. Weight (lbs)	Height To Top Of Back	Freestall Arch Length	PLATFORM LENGTH		Stall Width (o.c.)	(iii) Brisket Locator	(iv) Neckrail	(v) Stall Height	Total Height (Cow Side)	CURB HEIGHT (vi)		Type of Self Lock			
				Single Stalls	Double Stalls						Cow Side	Feed Side				
Birth	100															
1	150	41"	48"	55"	106"	26"	40"-43"	39"-41"	35"	44"	10"	5"	Adj. Calf			
2	200		48"	55"	106"	27"	42"-45"	41"-43"	36"	46"	10"	5"	Adj. Calf			
3	275		48"	56"	106"	28"	44"-47"	43"-45"	37"	46"	12"	7"	Adj. Calf			
4	350	44"	48"	57"	111"	30"	45"-48"	44"-46"	37"	48"	12"	7"	Adj. Calf			
5	400	48"	48"	58"	111"	31"	47"-50"	46"-48"	40"	48"	12"	7"	Adj. Calf			
6	450	49"	60"	67"	132"	32"	49"-52"	47"-49"	42"	50"	15"	11"	Adj. SLF			
7	500	49"	60"	67"	132"	33"	50"-53"	48"-50"	42"	50"	15"	11"	Adj. SLF			
8	550	50"	60"	68"	134"	35"	52"-54"	50"-52"	43"	50"	15"	11"	Adj. SLF			
9	600	50"	60"	72"	136"	36"	52"-55"	54"-56"	43"	50"	15"	11"	Adj. SLF			
10	700	51"	60"	72"	136"	37"	56"-59"	54"-56"	44"	52"	15"	11"	Adj. SLF			
11	750	51"	60"	72"	139"	38"	56"-59"	55"-58"	44"	52"	15"	11"	Adj. SLF			
12 (i)	800	52"	60"	84"	139"	39"	56"-59"	55"-58"	45"	54"	15"	11"	Adj. SLF			
13 (i)	850	53"	72"	84"	159"	40"	57"-60"	57"-59"	45"	54"	15"	11"	Adj. SLF			
14 (i)	900	55"	72"	86"	159"	40"	58"-61"	57"-59"	46"	56"	15"	11"	Adj. SLF			
15 (i)	950	55"	72"	86"	163"	42"	58"-62"	58"-61"	46"	56"	18"	14"	Adj. SLF			
16	1010	55"	72"	90"	163"	42"	58"-62"	59"-62"	46"	58"	19"	14"	Cow			
17	1060	56"	72"	90"	166"	44"	59"-62"	59"-62"	47"	58"	19"	14"	Cow			
18	1120	56"	72"	96"	166"	44"	59"-62"	60"-64"	47"	60"	19"	14"	Cow			
19	1150	58"	79"	100"	175"	46"	59"-62"	60"-64"	48"	60"	19"	14"	Cow			
20	1190	60"	79"	100"	175"	46"	62"-65"	64"-68"	48"	60"	19"	14"	Cow			
21	1230	60"	79"	102"	180"	46"	64"-67"	64"-68"	48"	61"	19"	14"	Cow			
22	1270	60"	79"	102"	180"	47"	65"-68"	66"-70"	49"	61"	19"	14"	Cow			
23	1310	60"	88"	108"	192"	48" +	70"	70"-72"	49"-51"	62"-63"	19"	14"	Cow			
24 (ii)	1350	60"	88"	108"	192"	50"-52"	70"	70"-72"	50"-52"	62"-63"	19"	14"	Cow			
Cows (std.)	85" loop	58"-60"														
*Cows (std.)	94" loop*	58"-60"														

USE CALF PENNING FOR ANIMALS UNDER 200 LBS. (See Calf Suites Section)

**GUIDELINES ONLY! MUST INSTALL FREESTALLS TO MATCH ANIMAL SIZE**

i = breeding age

ii = calving age

iii = horizontal distance from rear of platform to bottom of brisket bracket

iv = horizontal distance from rear of platform to o.c. neckrail

v = stall height from top of compressed bedding (or mat) to bottom of headrail

vi = 1 1/2" space between curb and bottom pipe of SLF

\* new recommendations for 1600 lb. + cows (must use 101169-10 clamp for 85" & 94" loops)

**SPREAD DIVIDERS TO MATCH THE INSTALLATION HEIGHTS GIVEN**

# GAUGE & WALL THICKNESS COMPARISON CHART



DAIRY PRODUCTS			
PRODUCT	PIPE SIZE	WALL THICKNESS	GAUGE
<b>FREESTALLS</b>			
Cow/Heifer	2 3/8" O.D.	.125 Wall	Heavy 11 ga
Calf	1 5/8" O.D.	.140 Wall	Heavy 10 ga
<b>GATES</b>			
Premium	1 5/8" O.D.	.100 Wall	12 ga
Select Line	1 5/8" & 1 5/16" O.D.	.100 Wall	12 ga
<b>HEADRAIL</b>			
1 5/8"	1 5/8" O.D.	.140 Wall	Heavy 10 ga
2 3/8"	2 3/8" O.D.	.154 Wall	Heavy 9 ga

GAUGE OF TUBING	GAUGE TOLERANCE (INCHES)	ACTUAL WALL THICKNESS (INCHES)
14 ga	.071 - .081	0.074
13 ga	.082 - .096	0.085
12 ga	.097 - .111	0.100
11 ga	.112 - .126	0.115
10 ga	.127 - .141	0.130
9 ga	.142 - .156	0.145
8 ga	.157 - .170	0.160
6 ga	.187 - .202	0.188
1/4" ga	-	0.250
5/16" ga	-	0.313
3/8" ga	-	0.375

## ORDERING GUIDELINES

1. **Order freestall loop** - Available in 79", 88" or 94"  
- Specify pre-galvanized or hot dipped galvanized
  
2. **Order floor mount bracket** - 1012221 - one per stall
  
3. **Order headrail clamps** - Order 101169 or 101179 (plate + U-bolts) - one per stall
  
4. **Order 1 5/8" headrail** - Pre-galvanized (1110400-1)
  
5. **Order post** - 1012688-PST post to be mounted 16' apart
  
6. **Order clamps** - Order one per loop      **1012688-CL1** - Single Row  
- Order one per pair of loops      **1012688-CL** - Double Row

## ORDERING GUIDELINES

- Order stalls**
  - Specify length
  - available in calf (48" (1 5/8")), heifer (60" (1 5/8") & 73" (2 3/8")) and cow (79.5", 88" & 94" (2 3/8"))
- Order bottom mount bracket**
  - Part 1012200-SL (73", 79.5", 88" and 94")
- Order headrail**
  - Order headrail joiners and end joiners
  - specify pre-galvanized or hot dipped galvanized
  - order 1 5/8" pipe for top of freestall
  - if pipe mount order 2 3/8" pipe for mounting stalls on pipes
- Order U-bolts**
  - order 3 9/16" (**20-720**) U-bolts for mounting freestalls direct to 3.5" posts (4 per stall)

**OPTION:** If mounting stalls head to head on 3.5" posts, order 1/2" x 5" hex bolts + nuts (4/stall)  
If mounting stalls to 2 3/8" pipe, order 2.5" id U-bolts (**20-520**) (single row), or 1/2" x 4" hex bolts for head to head.

- Order freestall mounting posts**
  - order bolt-down or cement-in posts
  - if ordering bolt-down posts, also order anchor bolts (1/2" x 3 3/4") (4/post)
- Order brisket brackets**
  - one per stall, if required
  - order anchors (9/16" holes)
- Order clamps**
  - order 1 5/8" x 2 3/8" for mounting headrail to stall
  - NOTE: Must use 101169-10 OR 101179-10 with 88" and 94" stalls.**
  - order 2 3/8" x 3.5" (2 per post) to attach horizontal pipes for mounting freestalls
- Nylon strap brackets**
  - Post mount need U-bolts (**20-720**)
  - Stall mount U-bolts (**20-520**)
  - Need to order strap (**1012494-STR**)
  - Order ratchet (**1012494-RAT**)
  - Order plates
    - Post mount (**1012494**)
    - Stall mount (**1012494-AB**)

## ORDERING GUIDELINES

1. **Order Freestall Loops** - Available in 79", 88" or 94" lengths  
- Specify pre-galvanized or hot dipped galvanized
2. **Order Posts** - order bolt-down or cement-in posts
3. **Order Collars** - Single row (2 per loop)  
- Double row (1 double per loop)  
- 1 bolt on collar per post
4. **Order Headrail** - order ONE 3 1/2" x 3/8" + nut per loop  
- order headrail joiners and end joiners  
- pre-galvanized
5. **Order Clamps** - order 1 5/8" x 2 3/8" for mounting headrail to stall  
**NOTE: Must use 101169-10 OR 101179-10 with 88" and 94" stalls.**